

NetSpan™ FBD Series Fiber Distribution Kit

Closed Architecture

Key Features

- Two-sided, closed architecture design
- Conveniently stores fiber slack and spliced drops in separate compartments
- Holds up to 5 splice trays per side
- Accommodates 15 feet of slack cable (144-fiber loose tube)
- Central Strength Member (CSM) clamps provide strain relief for fiber cable
- Includes a radius limiting spool to protect fiber from bending damage
- Easily installs within any UPCBD4 or UPCBD5 pedestal

This closed architecture kit instantly converts any standard UPCBD4/5 pedestal into a fiber distribution pedestal.

Description

The NetSpan™ FBD Series Fiber Distribution Kit easily mounts inside any standard UPCBD4 or UPCBD5 pedestal, converting it into a fiber distribution pedestal. The two-sided closed architecture configuration provides optimum environmental protection for fiber equipment against debris, insect and rodents. In addition, there is ample space for fiber slack storage and spliced drops in the two enclosed compartments.

Knockouts on the rear of the UPCBD pedestal are used to mount the kit. This minimizes the need to stock multiple pedestals, since the same pedestal style can be used for fiber or copper applications.

Application

Designed for use in most FTTH applications, the NetSpan™ FBD Series Fiber Distribution Kit converts any standard UPCBD pedestal into a closed architecture, environmentally protected fiber distribution pedestal.

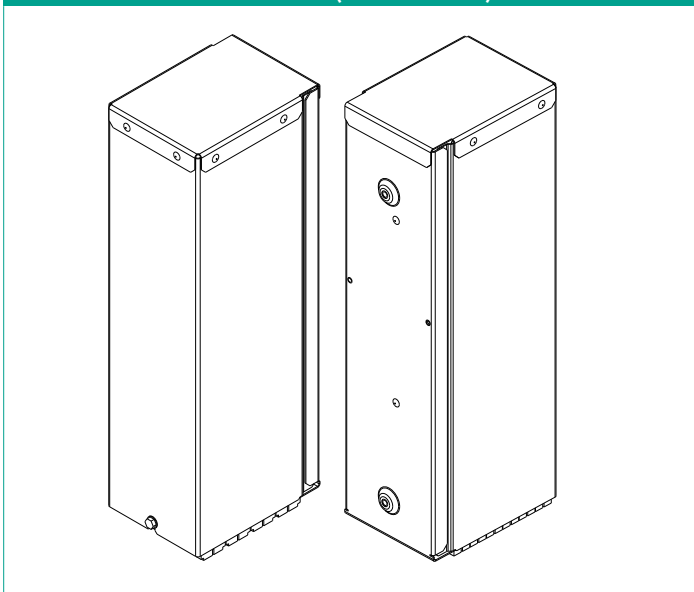


*Kit Shown Installed with Cover On
(UPCBD4 pedestal sold separately)*

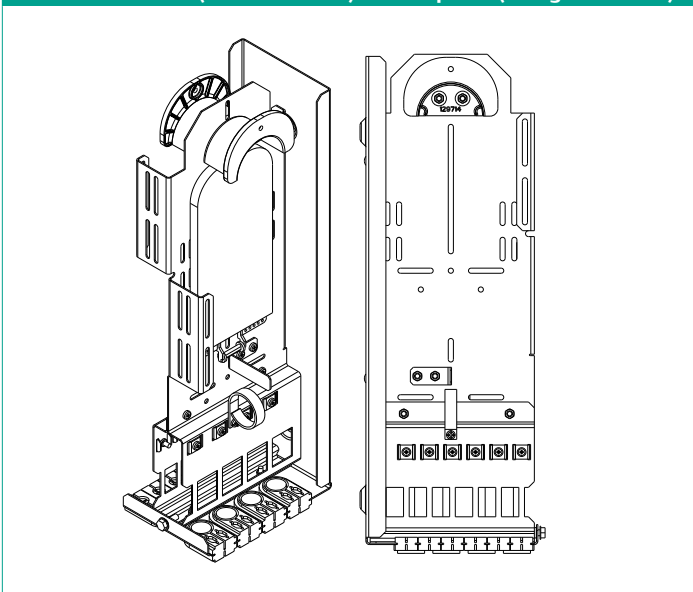
*Feeder and Drop Sides Shown Installed with Cover Off
(UPCBD5 pedestal sold separately)*

Diagrams

Exterior Front and Back of Closure (Isometric View)



Interior Feeder Side (Isometric View) and Drop Side (Straight On View)



Technical Specifications

Closure	
Dimensions	21" x 7.5" x 5.6" (H x W x D)
Weight	15 lbs.

Cable Ports	
Feeder Side	(4) ports up to 0.90" OD cable
Drop Side	(6) dual ports up to 0.56" OD cable

Storage	
Splice Trays	Holds (5) splice trays up to 5" wide and 10.5" tall, per side (maximum stack height of 2.5 inches)
Fiber Slack	15.5 feet of 144-fiber loose tube

Ordering Information

Catalog Number	Part Number	Description
NSFBDSCSCX	F1010627	Fiber distribution kit without splice tray
NSFBDSCSC1	F1010628	Fiber distribution kit with (1) splice tray

UPCBD Pedestals		
UPCBD4	F604880	8-inch gray-green metal pedestal
UPCBD5	F604900	10-inch gray-green metal pedestal

Accessories		
NSST2448E	F1010586	Fiber splice tray; 24 single fusion; or 4 mass fusion
MS1332	F602132	32-inch metal mounting stake
MS1342	F604080	42-inch metal mounting stake

EmersonNetworkPower.com/EnergySystems (North America)

EmersonNetworkPower.eu/EnergySystems (EMEA)

© Emerson Network Power Energy Systems North America 2014.

Business-Critical Continuity™, Emerson Network Power™, the Emerson Network Power logo, Emerson® and Consider it Solved are service marks and trademarks of Emerson Electric Co. EnergyMaster™, eSure™, NetPerform™, NetReach™, NetSpan™, NetSure™ and NetXtend™ are trademarks of Emerson Network Power Energy Systems North America. Any other product, brand, or company names or logos are the property of the respective owner.

While every precaution has been taken to ensure accuracy and completeness herein, Emerson Electric Co. assumes no responsibility, and disclaims all liability, for damages resulting from use of this information or for any errors or omissions. Specifications subject to change without notice.