

CCP1016

Combination Connection Pedestal

Key Features

- Multiple facilities housed in one pedestal serve the function of two pedestals and offer an aesthetically pleasing installation site
- Two independent equipment compartments provide craft separation between the two facilities
- Large capacity of internal compartments offers greater access to the equipment
- Universal mounting plate simplifies mounting for coax and copper distribution equipment
- Lift-off front cover offers complete 180° access to each compartment for easy installation and maintenance
- Temporary service drop knockouts permit service until drops can be trenched
- Bonding and grounding provisions accommodate equipment bonding and grounding requirements
- Hex-head locking bolt with padlock hasps and provisions for Star Lock design security bolts ensure maximum security versatility
- Our unique multistage gray-green finishing process meets or exceeds EPA standards, and provides a tough corrosion-resistant finish for longer life

Description

The CCP1016 Combined Connection Pedestal is an above-ground metallic enclosure for housing a combination of distribution equipment including coaxial, twisted pair copper, and/or fiber distribution.

Designed with two separate compartments, the CCP1016 allows neat and efficient use of multiple distribution facilities, yet offers craft separation between the two.

The CCP1016 is equipped with two 32-in. mounting stakes and factory installed universal mounting plates.

By combining multiple facilities into one pedestal enclosure, the CCP1016 takes the place of two enclosures for a more economical and aesthetically pleasing installation. CCP1016 enclosures are manufactured of heavy gauge mill-galvanized steel, treated with a unique finishing process for longer life.

Application

The CCP1016 serves as an above-ground housing for joint installation of coaxial, copper and/or fiber distribution facilities and equipment, such as taps, splitters, line extenders, splice modules, terminal blocks, splice cases, etc. The CCP1016 is designed for joint trenching applications, and for providers of both voice and video services.



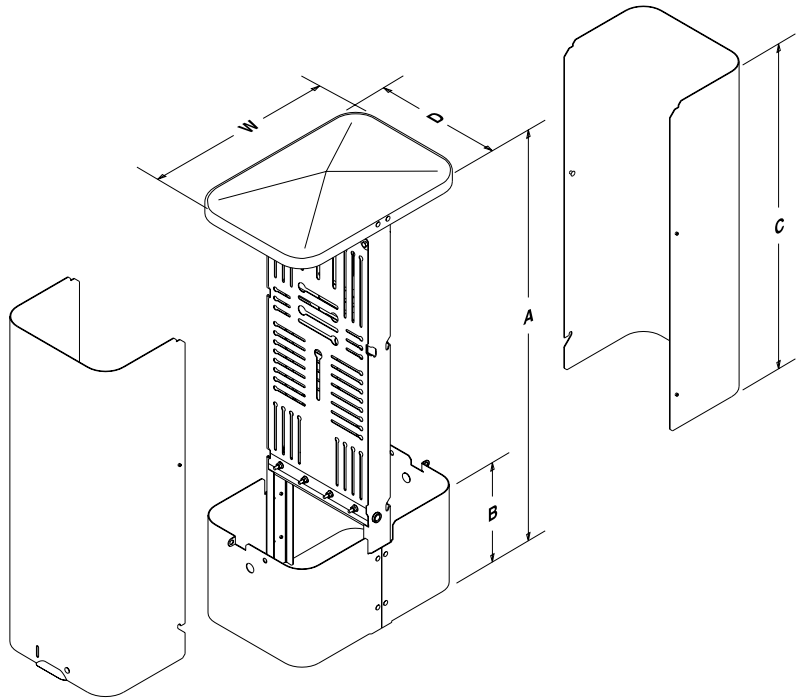
CCP1016 Combination Connection Pedestal



Dimensions & Ordering Information

| Catalog Number | Part Number | A | B | C | D | W |
|----------------|-------------|------------|--------|--------|------------|------------|
| CCP1016 | F605121 | 43 1/2-in. | 16-in. | 25-in. | 10 3/4-in. | 16 1/4-in. |

NOTE: The internal mounting space is 26.3"H x 10.5"W x 6.9"D per side of enclosure.



Accessories

| Catalog Number | Part Number | Description |
|----------------|-------------|-----------------------------|
| P85690 | F585690 | One louvered front cover |
| P85946 | F585946 | 300-pair RLS mounting plate |

Emerson Network Power.

The global leader in enabling Business-Critical Continuity™.

- AC Power
- Embedded Power
- Precision Cooling
- Connectivity
- Infrastructure Management & Monitoring
- Racks & Integrated Cabinets
- DC Power
- Outside Plant
- Services
- Embedded Computing
- Power Switching & Controls
- Surge Protection

Emerson Network Power Energy Systems

4350 Weaver Parkway, Warrenville, IL 60555
Toll Free: 800-800-1280 (USA and Canada)
Telephone: 440-246-6999 Fax: 440-246-4876
Web: EmersonNetworkPower.com/OSP

© 2010 Emerson Network Power Energy Systems, North America, Inc. All rights reserved.

Emerson®, Emerson Network Power™, Business-Critical Continuity™, NetReach™, NetSpan™ and NetXtend™ are trademarks of Emerson Electric Co. and/or one of its subsidiaries.

Printed in USA

